



MixRite™

AGRICULTURE | GREENHOUSE | LANDSCAPE



DEMA®



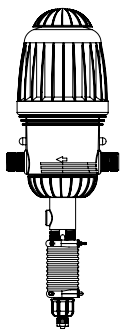
MixRite™ INJECTORS

Water Powered Proportional Pumps

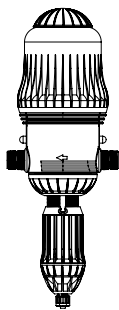
- Powered by water, no electricity needed
- Fertilizer or chemical is added in constant percentage regardless of water flow changes
- Models available for injection from .1% to 10% with better accuracy
- Multiple models for water flow rates from .9gpm to 110 gpm
- Accessories available to allow use with extreme low flow to .2gpm and ultra lean dilutions to 1:193,000
- Spring, seal and plastic material options for virtually any application including **peracetic acid and chlorine**

MIXRITE RANGE

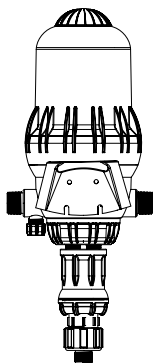
2.5/500



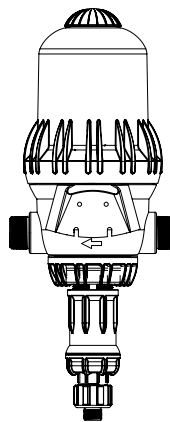
3.5/1400



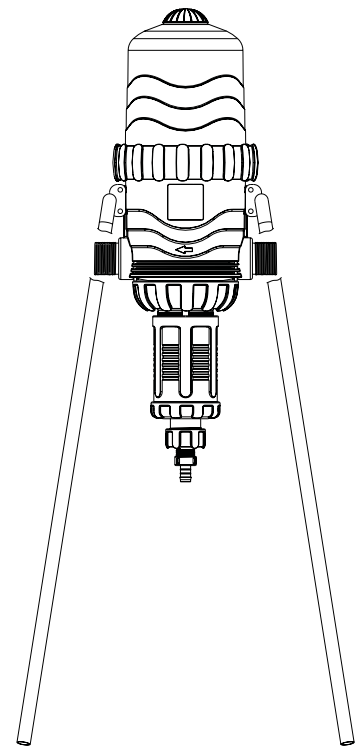
TF - 5



TF - 10



TF - 25



Applications

- Fertigation
- Chlorination and acidification
- Water additives pH and EC control



SIMPLE OPERATION, ADJUSTMENT AND REPAIR

Better Performance

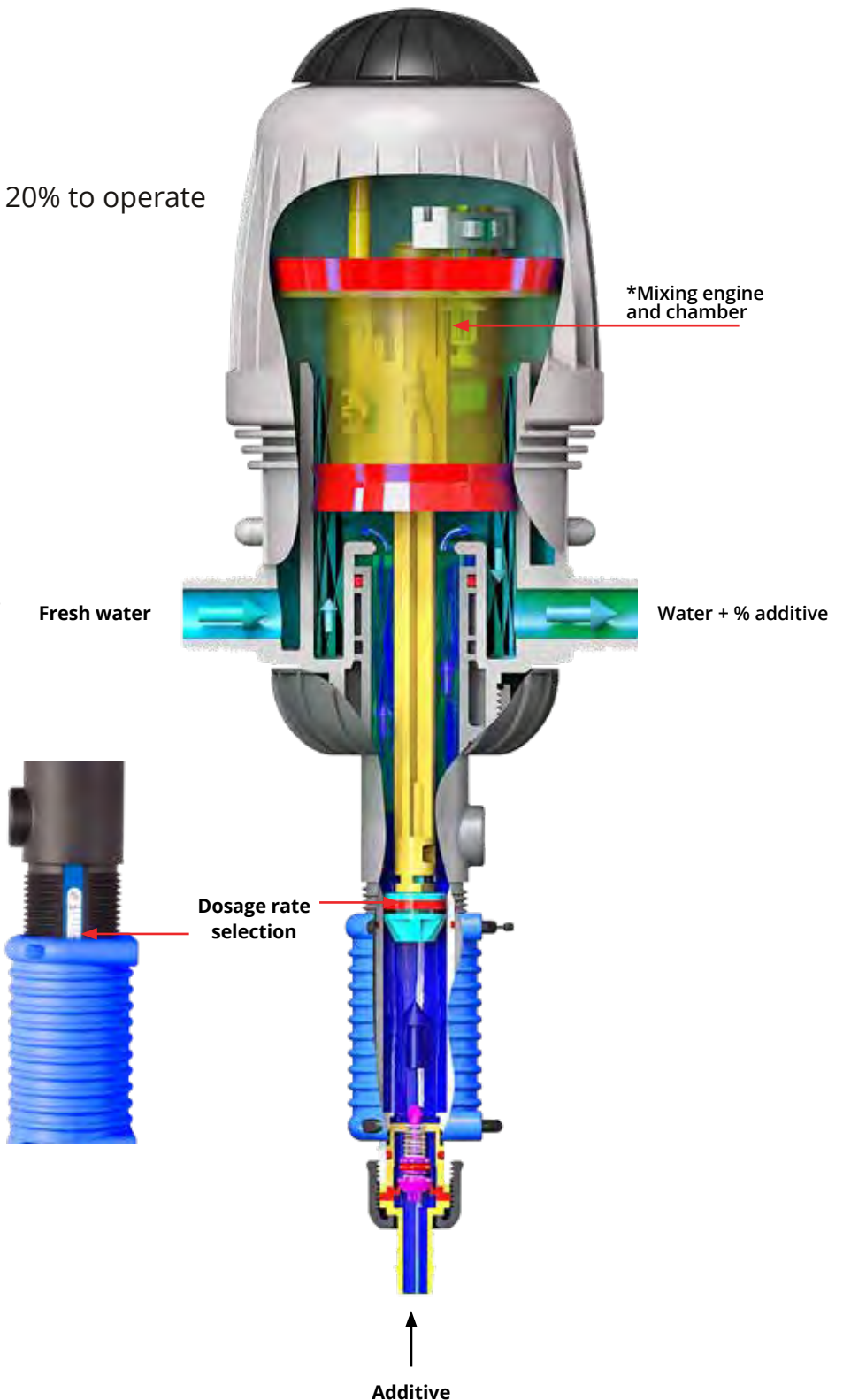
- Higher flow rates by 10-25%
- Less pressure loss and uses only 20% to operate
- Faster, easier service and repair

Simple Repair

- No special tools
- Field repairable
- Replace seals in just a few minutes

Simple Adjustment

Select dosage rate by rotating the sleeve to the desired additive percentage.



*Internal Bypass Model available. Isolates chemical from engine for maximum chemical resistance.



MixRite™ MODELS

TF-5

TF-5-001: Rate of additive: 0.1% to 1%
 TF-5-002: 0.2% to 2%
 TF-5-005: 1% to 5%
 Water pressure from 14.7 to 120 PSI (1-8 bar)
 Flow Rate from 0.1 to 22 GPM (0.2-5 m³/h)
 Weight: 13.2 Lbs (6.0 kg)
 Coupling: 1" or 32 mm
 10% more flow than the competition

TF-10

TF-10-001: Rate of additive: 0.1% to 1%
 TF-10-002: 0.2% to 2%
 TF-10-005: 1% to 5%
 Water pressure from 14.7 to 120 PSI (1-8 bar)
 Flow Rate from 2 to 45 GPM (0.5-10 m³/h)
 Weight: 16.23 Lbs (7.38 kg)
 Coupling: 1.5" or 50 mm
 5% more flow than the competition

TF-25

TF-25-001: Rate of additive: 0.1% to 1%
 TF-25-002: 0.3% to 2.5%
 TF-25-005: 1% to 5.5%
 Water pressure from 14.7 to 120 PSI (1-8 bar)
 Flow Rate from 9 to 110 GPM (2-25 m³/h)
 Weight: 46.42 Lbs (21.10 kg)
 Coupling: 2" or 63 mm
 10% more flow than the competition

Note: All 001 units designed for Chlorine and PAA with Hastelloy coil springs and Peek engine springs.



All MixRite models feature standard air release or manual On/Off

Standard Air Release

All models come standard with a manual air release, which allows primary bleeding of air locked in the water supply lines.



Manual On/Off

All models have an optional manual On/Off which will shut down additive injection, allowing a continual water flow.



Includes maintenance wrench for easy access and seal replacement



570-CW-AG / 571-CW-AG* / 2502/12502*

Rate of additive: 0.3% to 2%
Water Pressure from 2.9 to 120 PSI (0.2-8 bar)
Flow rate from 5.3 to 660 Gal/h (20-2500 l/h)
Size: 56-18.5 cm (22" high x 7.27" wide)
Weight: 4.22 Lbs (1.92 kg)
Coupling: 3/4"



572-CW-AG / 573-CW-AG* / 2504/12504*

Rate of additive: 0.4% to 4%
Water Pressure from 2.9 to 120 PSI (0.2-8 bar)
Flow rate from 5.3 to 660 Gal/h (30-2500 l/h)
Size: 56x18.5 cm (22" high x 7.27" wide)
Weight: 4.22 Lbs (1.92 kg)
Coupling: 3/4"



1401

Rate of additive: .1% to .9%
Water Pressure from 2.9 to 120 PSI (0.2-8 bar)
Flow rate from .04 to 15.5 Gal/h (10 - 3500 l/h)
Weight: 4.19 Lbs (1.9 kg)
Coupling: 3/4"



1402

Rate of additive: .3% to 2%
Water Pressure from 2.9 to 120 PSI (0.2-8 bar)
Flow rate from .04 to 15.5 Gal/h (10-3500 l/h)
Weight: 4.19 Lbs (1.9 kg)
Coupling: 3/4"



1405

Rate of additive: 0.05-5%
Water Pressure from 2.9 to 120 PSI (0.2-8 bar)
Flow rate from .4 to 15.5 Gal/h (10-3500 l/h)
Weight: 4.22 Lbs (1.92 kg)
Coupling: 3/4"



1410

Dosing By Internal Bypass
Rate of additive: 1-10%
Water Pressure from 5.3 to 120 PSI (0.2-8 bar)
Flow rate from .22 to 15.5 Gal/h (50-3500 l/h)
Weight: 4.19 Lbs (1.9 kg)
Coupling: 3/4"



Note: All 14 series units designed for Chlorine and PAA with Hastelloy coil springs and Peek engine springs.



MixRite™ FIXED RATE MODELS

- Designed for fixed dosing at the rate of 0.8%
- Ideal for fertilizer as well as vitamins and minerals in animal production
- Chemical resistant to withstand non corrosive sanitizers and mild acids that do not create heat
- Chemical resistant materials standard include EPDM seals, Hastelloy spring, Viton Extreme chemical piston spring

566AG Model

Rate of additive: Fixed 1%
 Water Pressure from 2.9 to 120 PSI (0.2-8 bar)
 Flow rate from 5.3 to 660 Gal/h (20-2500 l/h)
 Size: 56-18.5 cm (22" high x 7.27" wide)
 Weight: 4 Lbs (1.80 kg)
 Coupling: 3/4"



5668G Model

Water Pressure from 2.9 to 120 PSI (0.2-8 bar)
 Flow rate from 5.3 to 660 Gal/h (20-2500 l/h)
 Size: 56-18.5 cm (22" high x 7.27" wide)
 Weight: 4 Lbs (1.80 kg)
 Coupling: 3/4"



MixRite™ HIGH CHEMICAL RESISTANT MODELS

- Designed for the most aggressive chemicals
- PVDF body and components
- Viton Extreme seals and Hastelloy springs

569/570/572/574 PVDF Models**

Water Pressure from 2.9 to 120 PSI (0.2-8 bar)
 Flow rate from 5.3 to 660 Gal/h (20-2500 l/h)
 Weight: 4.84 Lbs (2.20 kg)
 Coupling: 3/4"



.57 UFR low flow device

- Designed for use on all 500 and 1400 series MixRites
- Allows units to work at low flow rates as low as .2 gal



** PVDF Body and components, Viton extreme seals, Hastelloy springs designed to survive aggressive chemical that contain chlorine and acids



MixRite™ MOBIL CART SYSTEM

Portable system for almost any MixRite model and additive container

- Holds 5 gallon container and can carry 250 lbs. yet narrow enough to go through standard width doors
- Pneumatic tires cushion ride over rough surfaces
- Can be ordered with any 500, 1400 or TF5 model
- Included strap secures chemical container
- Includes six foot water supply hose, 25 foot discharge hose, On/off valve and water strainer
- Optional insulated ball valve or trigger spray gun available
- Can be added without accessories
- Standard models include
 - 566 AGCS for fixed 1%
 - 566AGCS.2
 - 571CSR with On/Off for .3 to 2%
 - TF.5 001 On/Off for .1 to 1%



571CSR with chemical shut off option

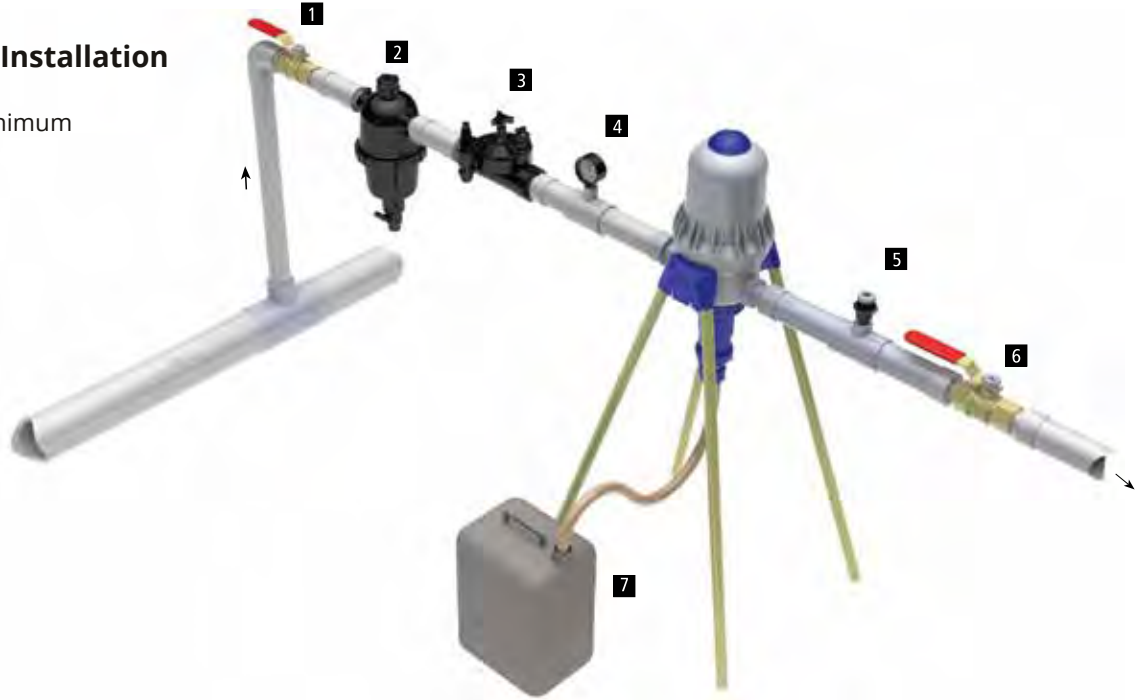


RECOMMENDED INSTALLATIONS

All MixRites need to be installed in accordance with local plumbing codes which may require the use of approved back flow preventers

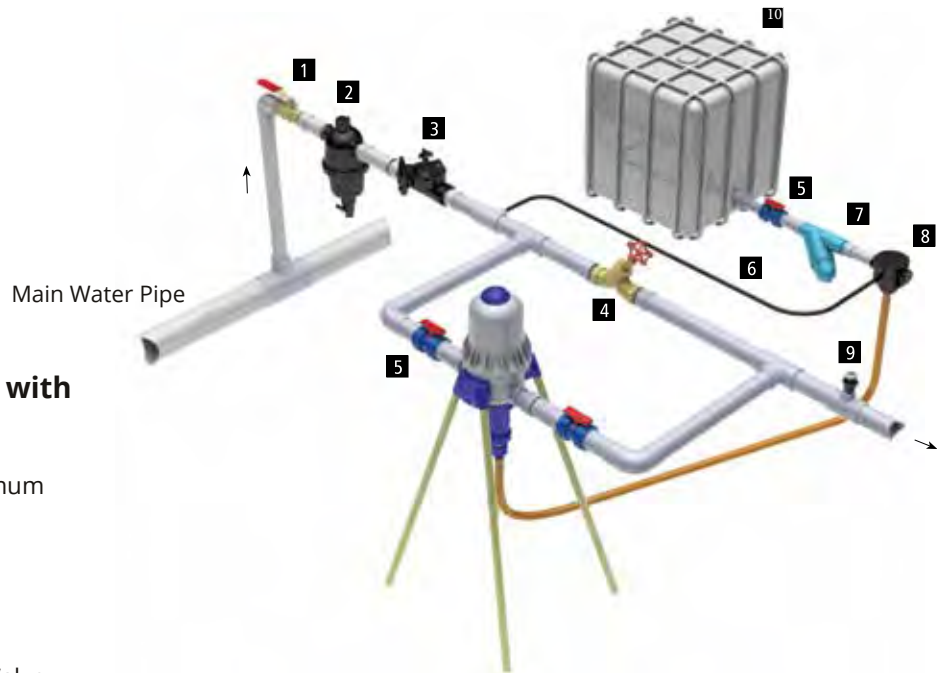
TF Model in Classic In-Line Installation

1. Main Water Valve
2. Main Water Filter - 120 Mesh Minimum
3. Pressure Reducing Valve
4. Pressure Gauge (recommended)
5. Anti Siphon Valve
6. Operation Valve
7. Fertilizer Solution Tank



TF Model Bypass installation with Hydraulic Check Valve

1. Main Water Valve
2. Main Water Filter - 120 Mesh Minimum
3. Pressure Reducing Valve
4. Throttling Valve
5. Combined Union & Plastic Valve
6. 5/16" Command Line
7. Fertilizer Resistant Filter
8. Safety Normally Closed Hydraulic Valve
9. Anti Siphon Valve
10. Fertilizer solution tank



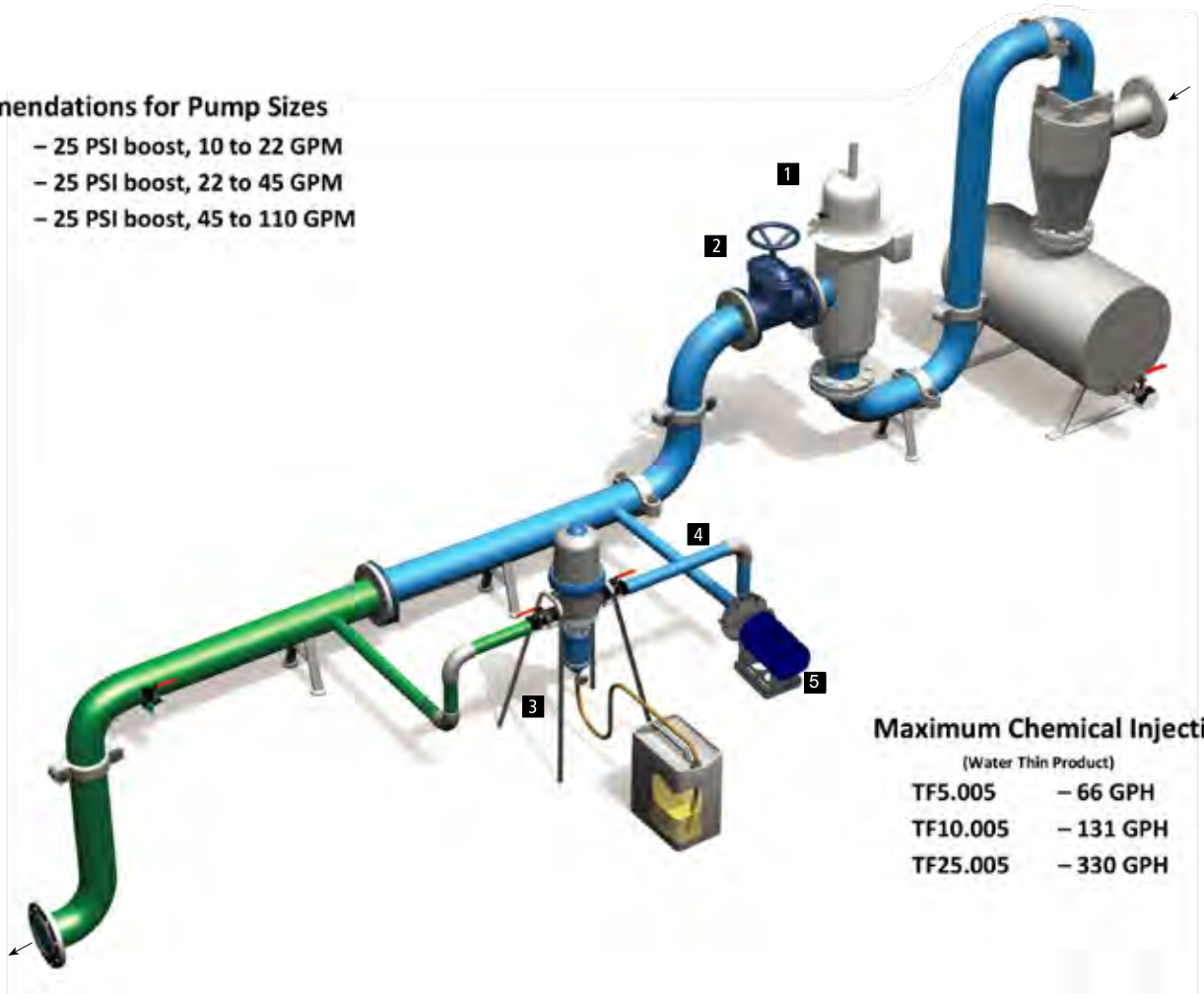


TF Model on Large Bypass Installation.

1. Main Valve
2. Chocking Valve
3. MixRite TF Injector
4. 2" Bypass Line
5. Booster Pump

Recommendations for Pump Sizes

TF5	- 25 PSI boost, 10 to 22 GPM
TF10	- 25 PSI boost, 22 to 45 GPM
TF25	- 25 PSI boost, 45 to 110 GPM



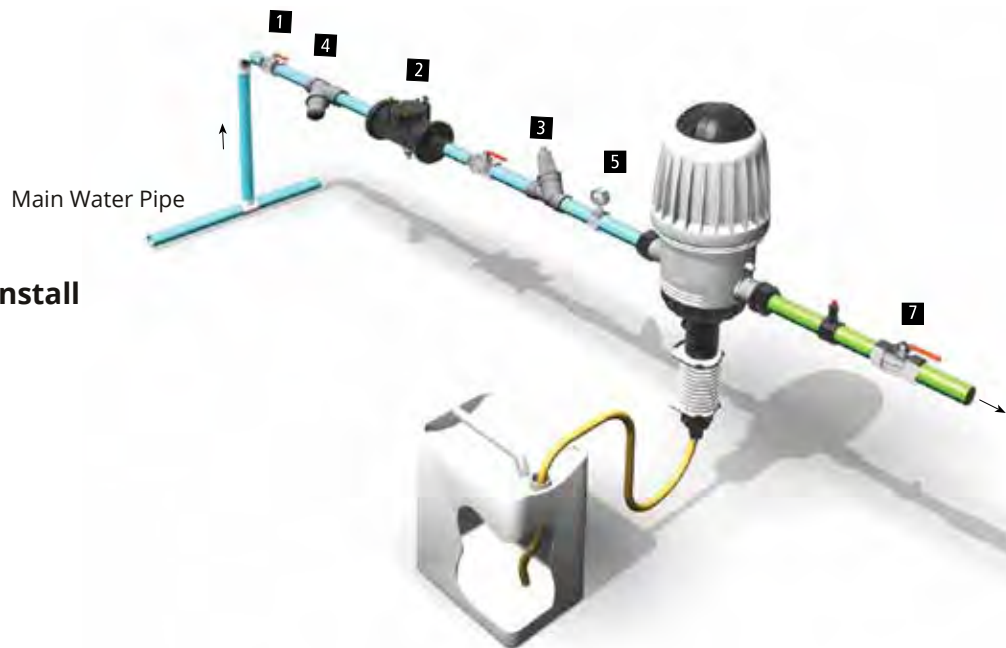
Maximum Chemical Injection

(Water Thin Product)

TF5.005	- 66 GPH
TF10.005	- 131 GPH
TF25.005	- 330 GPH

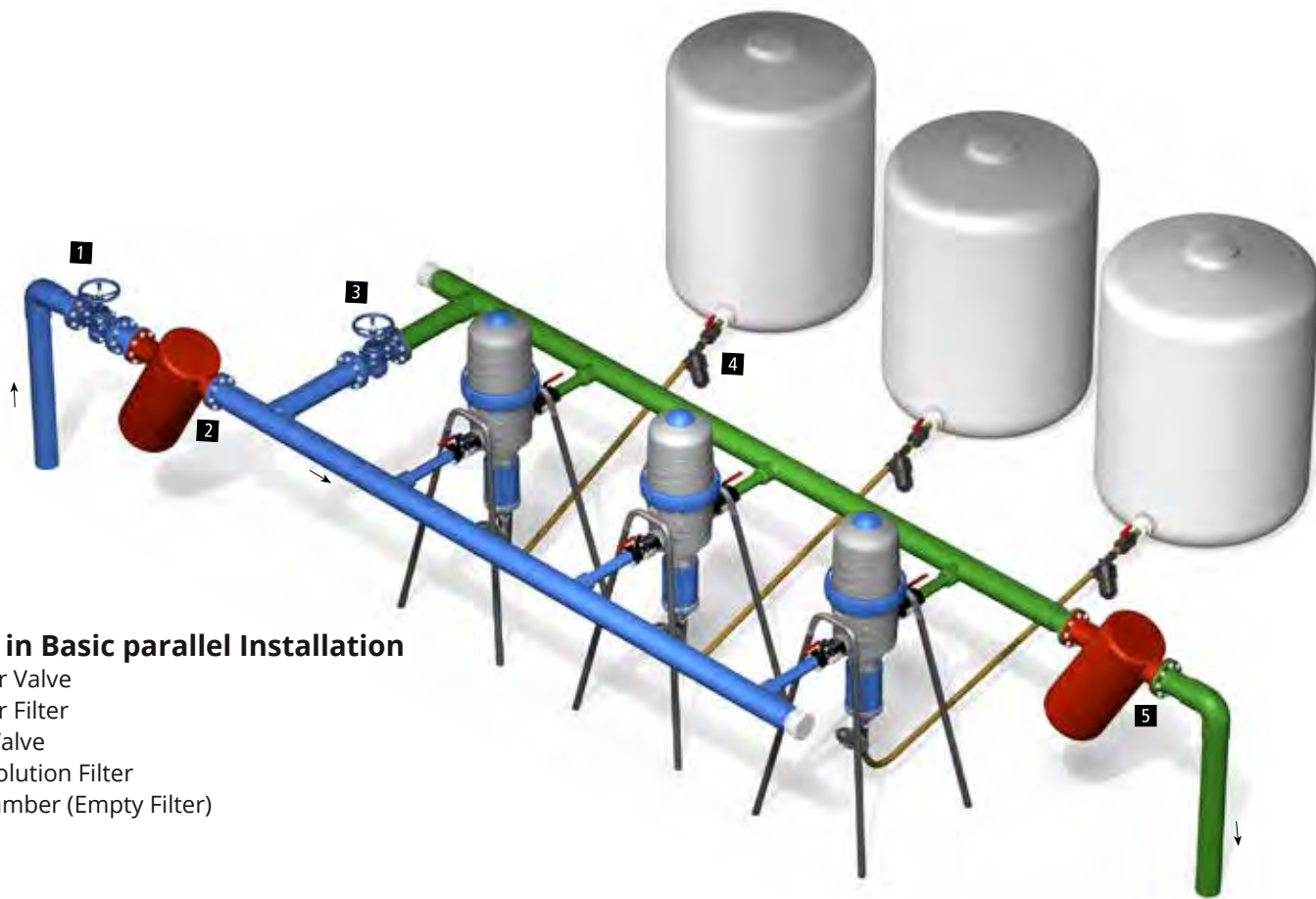


RECOMMENDED INSTALLATIONS



500 Series in Classic In-Line Install

1. Main Valve
2. Back Flow Preventer
3. Pressure Regulator
4. Filter - 120 Mesh (130 Micron Min.)
5. Manometer (Pressure Gauge)
6. Anti Siphon Valve
7. Operation Valve



TF Models in Basic parallel Installation

1. Main Water Valve
2. Main Water Filter
3. Chocking Valve
4. Fertilizer Solution Filter
5. Mixing Chamber (Empty Filter)



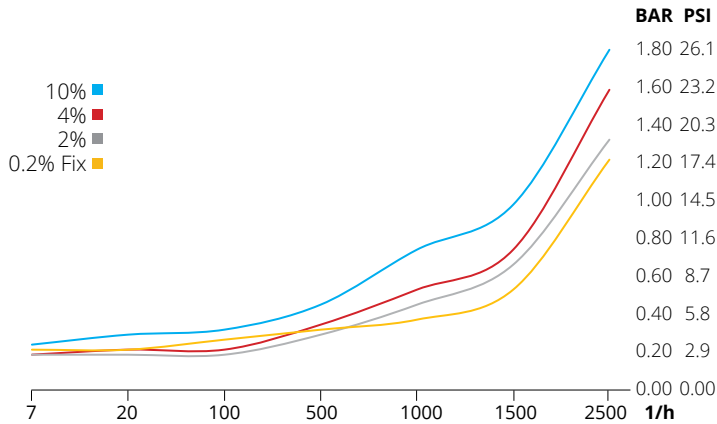
GENERAL TECHNICAL INFORMATION

DEMA Model TEFEN Model	Flow Rate Range	Pressure Range	Dosage Rate %	Ratio	Connectors Diameter Thread	Min - Max injection rate per hour	Remarks
568AG	0.4 - 11 gpm 20 - 2500 l/h	2.9 - 120 psi 0.2 - 8 bar	0.8% Fix	128:1	3/4"	5.3 gph 20 l/h	BSPT Thread
566AG	0.4 - 11 gpm 20 - 2500 l/h	2.9 - 120 psi 0.2 - 8 bar	1% Fix	100:1	3/4"	5.3 gph 20 l/h	BSPT Thread
569	0.4 - 11 gpm 20 - 2500 l/h	2.9 - 120 psi 0.2 - 8 bar	0.1% - 0.9%	1000:1 - 111:1	3/4"	.05 - 5.95 gph .1892 - 22.5 l/h	BSPT Thread
570 / 571 2502 / 12502	0.4 - 11 gpm 20 - 2500 l/h	2.9 - 120 psi 0.2 - 8 bar	0.3 - 2%	333:1 - 50:1	3/4"	0.16 - 13.22 gph 0.6 - 50 l/h	BSPT Thread
572 / 573 2504 / 12504	0.13 - 11 gpm 30 - 2500 l/h	2.9 - 120 psi 0.2 - 8 bar	0.4 - 4%	250:1 - 25:1	3/4"	0.03 - 26.5 gph 0.12 - 100 l/h	BSPT Thread
1401	0.04 - 15.5 gpm 10 - 3500 l/h	2.9 - 120 psi 0.2 - 8 bar	0.1% - 0.9%	1000:1 - 111:1	3/4"	.05 - 5.95 gph .1892 - 22.5 l/h	BSPT Thread
1402	0.04 - 15.5 gpm 10 - 3500 l/h	2.9 - 120 psi 0.2 - 8 bar	.3 - 2%	333:1 - 50:1	3/4"	0.008 - 18.5 gph 0.03 - 70 l/h	BSPT Thread Optional foot valve
1405	0.04 - 15.5 gpm 10 - 3500 l/h	2.9 - 120 psi 0.2 - 8 bar	0.5 - 5%	200:1 - 20:1	3/4"	0.013 - 46.23 gph 0.05 - 175 l/h	BSPT Internal Bypass
1410	0.4 - 15.5 gpm 50 - 3500 l/h	2.9 - 120 psi 0.2 - 8 bar	1 - 10%	100:1 - 10:1	3/4"	0.1 - 95.59 gph 0.5 - 350 l/h	BSPT Internal Bypass
570PVDF	0.4 - 11 gpm 20 - 2500 l/h	2.9 - 120 psi 0.2 - 8 bar	0.3 - 2%	333:1 - 50:1	3/4"	0.03 - 13.22 gph 0.12 - 50 l/h	BSPT Thread
TF 5-001	1 - 22 gpm 0.2 - 5 m ³ /h	14.7 - 120 psi 1 - 8 bar	0.1 - 1%	1000:1 - 100:1	1"	0.053 - 13.2 gph 0.2 - 50 l/h	NPT External Male
TF 5-002	1 - 22 gpm 0.2 - 5 m ³ /h	14.7 - 120 psi 1 - 8 bar	0.2 - 2%	500:1 - 50:1	1"	0.1 - 26.5 gph 0.4 - 100 l/h	NPT External Male
TF 5-005	1 - 22 gpm 0.2 - 5 m ³ /h	14.7 - 120 psi 1 - 8 bar	1 - 5%	100:1 - 20:1	1"	0.53 - 66 gph 2 - 250 l/h	NPT External Male
TF 10-001	2 - 45 gpm 0.5 - 10 m ³ /h	14.7 - 120 psi 1 - 8 bar	0.1 - 1%	1000:1 - 100:1	1 1/2"	0.13 - 26.5 gph 0.5 - 100 l/h	NPT External Male
TF 10-002	2 - 45 gpm 0.5 - 10 m ³ /h	14.7 - 120 psi 1 - 8 bar	0.2 - 2%	500:1 - 50:1	1 1/2"	0.26 - 53 gph 1 - 200 l/h	NPT External Male
TF 10-005	2 - 45 gpm 0.5 - 10 m ³ /h	14.7 - 120 psi 1 - 8 bar	1 - 5%	100:1 - 20:1	1 1/2"	1.32 - 132.3 gph 5 - 500 l/h	NPT External Male
TF 25-001	9 - 110 gpm 2 - 25 m ³ /h	14.7 - 120 psi 1 - 8 bar	0.1 - 1%	1000:1 - 100:1	2"	0.53 - 66.14 gph 2 - 250 l/h	2"NPT
TF 25-002	9 - 110 gpm 2 - 25 m ³ /h	14.7 - 120 psi 1 - 8 bar	0.3 - 2.5%	333:1 - 40:1	2"	1.06 - 165.4 gph 4 - 625 l/h	2"NPT Male
TF 25-005	9 - 110 gpm 2 - 25 m ³ /h	14.7 - 120 psi 1 - 8 bar	1 - 5.5%	100:1 - 20:1	2"	5.3 - 364 gph 20 - 1375 l/h	2"NPT Male

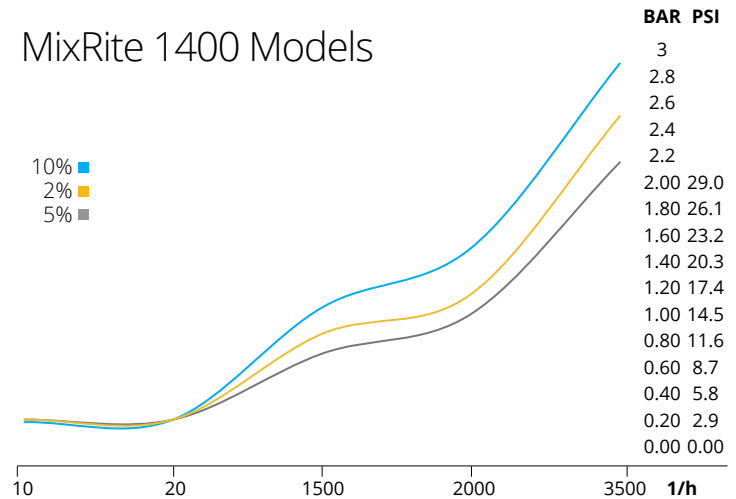


PRESSURE LOSS TABLES

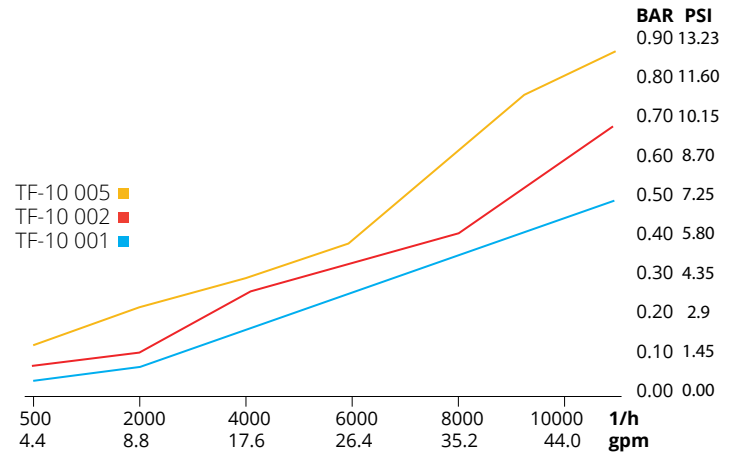
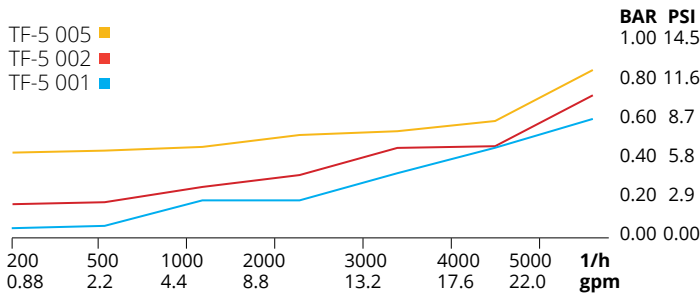
MixRite 500 Models



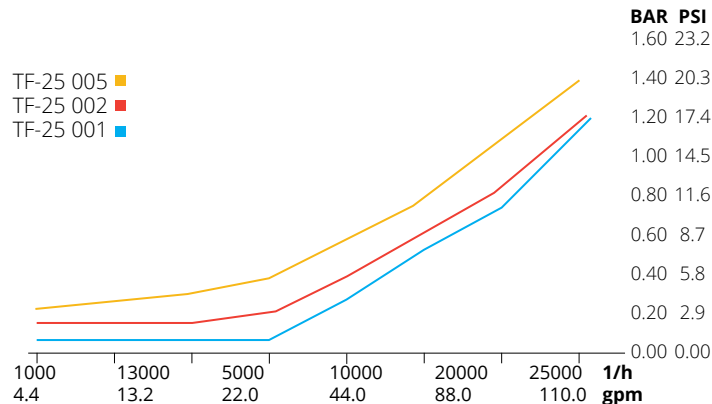
MixRite 1400 Models



MixRite TF-5 Models



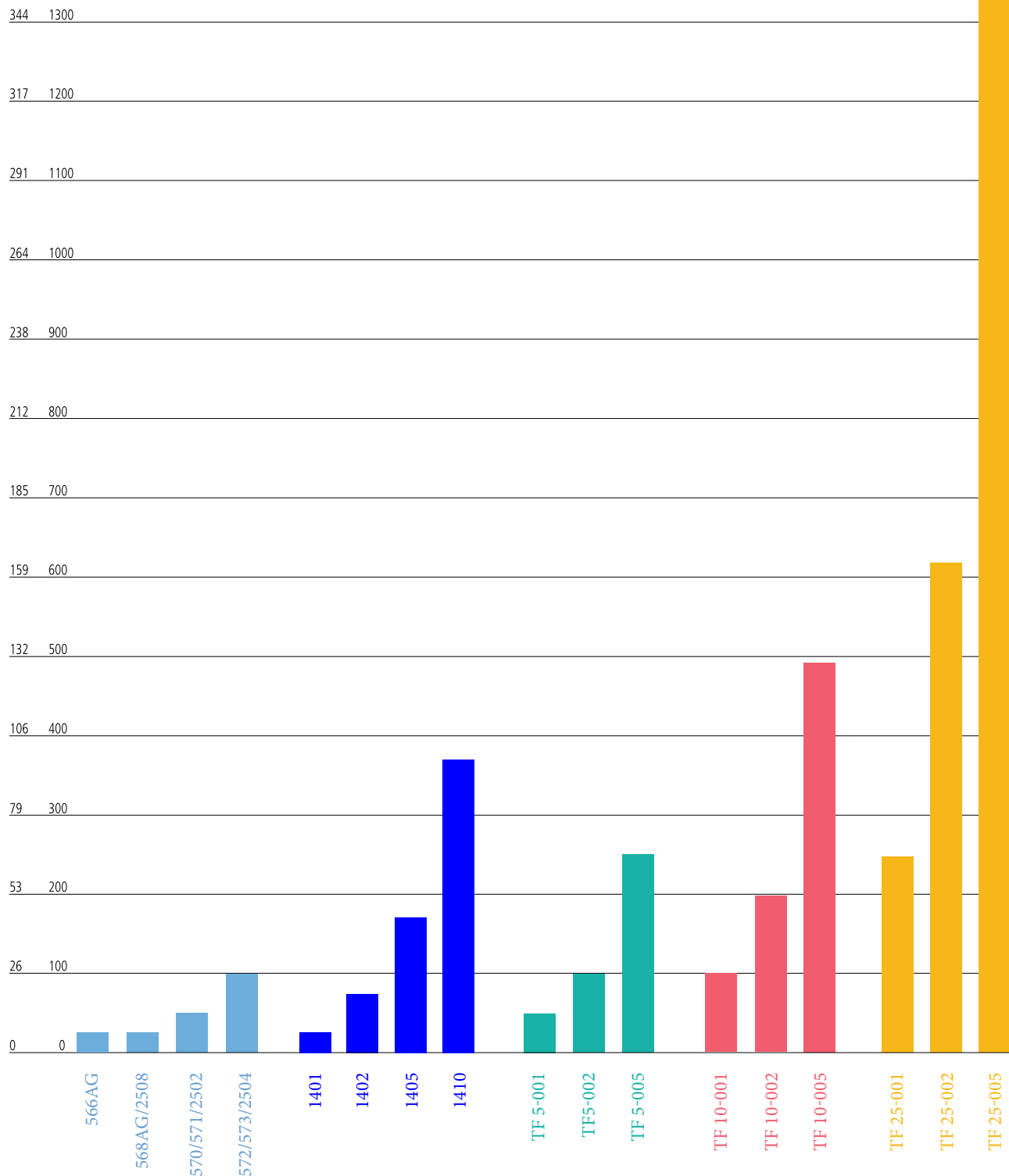
MixRite TF-25 Models





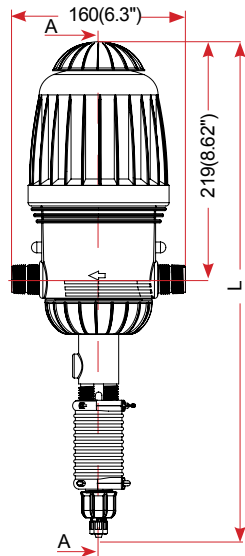
MAX. INJECTION RATE PER HOUR - **MixRite™** MODELS

Injection Rate
gph L/h



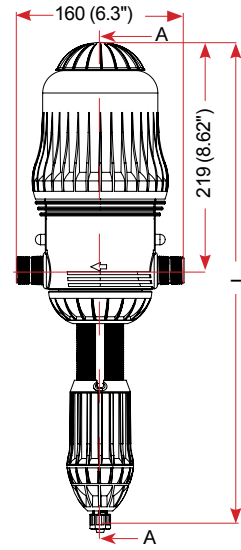


SPECIFICATIONS (IN CENTIMETERS AND INCHES)



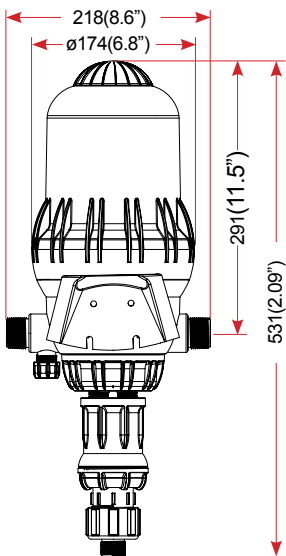
	L (Height)	
	On/Off	Air Release
Max.	528 (20.7")	496 (19.5")
Min.	497 (19.5")	457 (17.9")

MixRite 500 Models



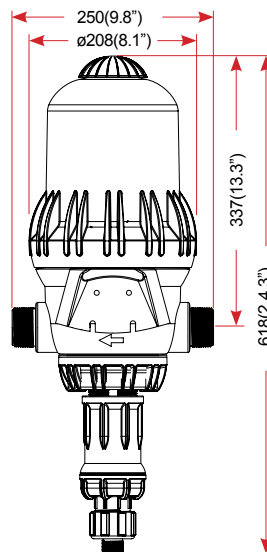
	L (Height)	
	On/Off	Air Release
Max.	551 (21.7")	486 (19.1")
Min.	471 (18.5")	447 (17.6")

MixRite 1400 Models



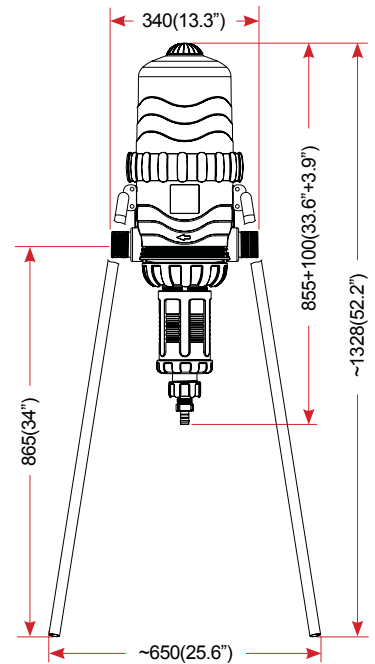
	L (Height)	
	On/Off	Air Release
Max.	680 (26.7")	595 (23.4")
Min.	585 (23")	545 (21.4")

MixRite TF-5 Models



	L (Height)	
	On/Off	Air Release
Max.	760 (29.9")	660 (26")
Min.	720 (28.34")	625 (24.6")

MixRite TF-10 Models



	L (Height)	
	On/Off	Air Release
Max.	1030 (40.5")	1000 (39.3")
Min.	880 (34.6")	900 (35.4")

MixRite TF-25 Models



RECOMMENDED ACCESSORIES



3/4" FlowGuard
Cat. No. 38220000002



White foot valve
strainer 57.34FT



3/4" hydraulic Normally
Closed valve
Cat. No. 38000000011



Suction foot valve
Cat. No. 38005728104



Plastic Wall mounting bracket
cat no. 36030162765
For all "3/4 MixRite models



3/4" Static
Pressure regulator
Cat. No. 38030200001



50-41-1
Strainer
200 Mesh (80 Micron)



Plastic wall mounting bracket and
stand base
cat no. 36030162765
For MixRite TF5 & TF10 models



Stainless Steel Wall mounting Bracket
Cat No. 35000000010
For models TF25



294DC.DS
Creates 30 to 40 GPM of foam



57-11-1 Tip kit for lean dilution ratios
750:1, 1000:1, 1500:1, 2000:1
Includes 4 metering tips, 8 ft. 1/4" vinyl
hose and 1/4"x3/8" barb adapter



3/4" Anti
siphon kit
Cat. No. 36073008002



3/4" Back
flow preventor
Cat. No. 38030200004



MixRite™

AGRICULTURE | GREENHOUSE | LANDSCAPE

No electricity needed, uses only water pressure to operate

Accurate proportioning regardless of water flow or pressure changes

Replaceable seals require no special tools and free seal kit included with each unit

UV resistant materials

Years of field use in a variety of conditions and applications



Efficient engine design results in minimal pressure loss

10% to 25% more flow than competitive models

Models for injection rates from .1% to 10% with water flow from .08-110 gpm

Models designed to withstand aggressive additives including PVDF models for strong acids and chlorine



10020 Big Bend Road, St. Louis, MO 63122, Tel: 314-966-3533
Fax: 314-965-8319 www.demaeng.com E-mail: sales@demaeng.com

